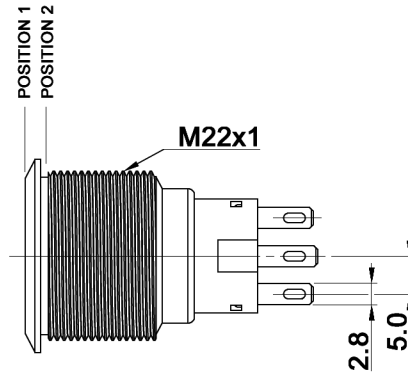
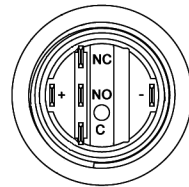
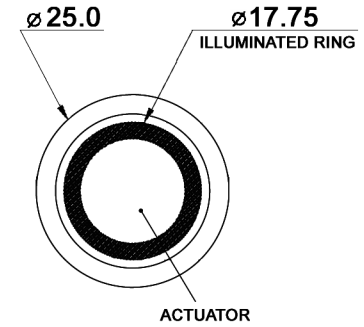
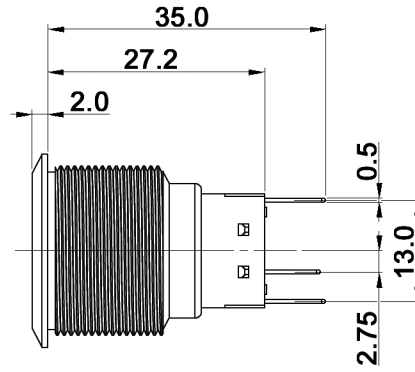
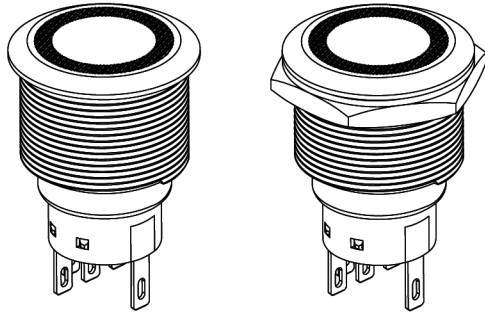
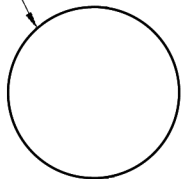


ASSEMBLED VIEW



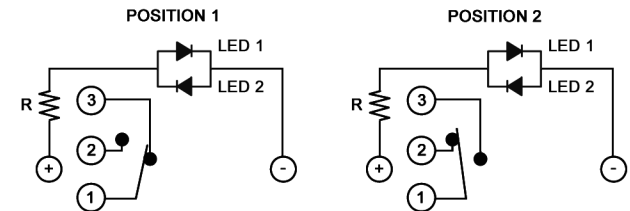
PANEL CUT-OUT

$\varnothing 22.00^{+0.20}_{-0}$



MAX. PANEL THICKNESS: 10mm

SCHEMATIC



Compliance: RohS III (2015/863/EU)

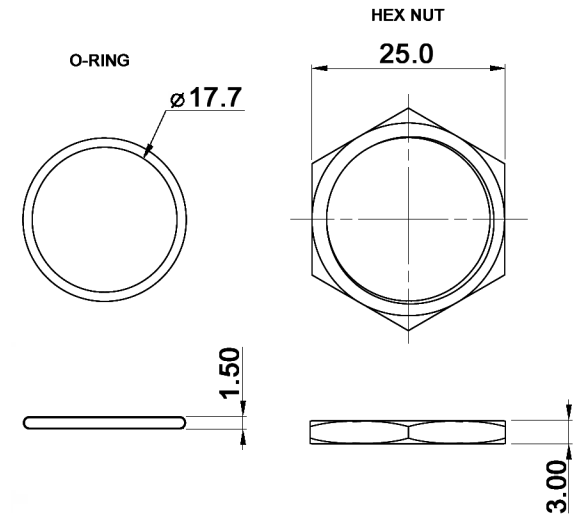
Tolerances: 0.00: ±0.25mm 0.0: ±0.40mm			Date	Name	<h1>MAV22A0F10ExyJQ</h1>
			07/15	dr	
LED color	04/23	dr	<b>knitter-switch</b>		<h2>30 33 93</h2>
Revised	08/21	dr			
LED	06/16	dr			
Modifications	Date	Name			Page 1/2

**Specifications:**

**Contact rating:** 3A, 250V AC; 3A, 28V DC  
**Contact resistance:** 50mOhm max. at 1A, 12V DC  
**Insulation resistance:** 1000MOhm min. at 500V DC  
**Dielectric strength:** 2000V RMS  
**Operating temperature:** -20°C to +55°C  
**Mechanical life:** 1 000 000 cycles  
**Electrical life:** 50 000 cycles (make and break cycles at full load); 6 000 cycles DC  
**Operating force:** 2.5 +/-1N  
**Soldering conditions:** manual soldering: max. 290°C, 3sec.  
**Timing:** momentary  
**Travel:** 3.2mm +/-0.3  
**Torque:** 5-14Nm  
**IP protection:** IP67  
**IK class:** IK10  
**Illumination ring moveable**  
**Material:**

**Bushing:** stainless steel  
**Base:** PBT (UL94V-0)  
**Actuator:** PC, stainless steel  
**Inner assembly:** POM, PA66  
**Spring:** steel  
**O-ring:** silicone  
**Contact:** brass, silver plated  
**Terminal:** brass, silver plated  
**Hex nut:** brass, nickel plated

**HARDWARE:**



x	LED 1	LED 2	y	LED voltage
1	white	white	0	without resistor
3	red	red	3	3 V
5	yellow	yellow	6	6 V
6	green	green	12	12 V
7	blue	blue	24	24 V
A	red	green	36	36 V
B	red	blue	110	110 V
D	blue	yellow	220	220 V
G	red	yellow		
H	green	yellow		
J	orange	green		
P	blue	green		

Compliance: RohS III (2015/863/EU)

Tolerances: 0.00: ±0.25mm 0.0: ±0.40mm		Date	Name	<h1>MAV22A0F10ExyJQ</h1>
		07/15	dr	
LED color	04/23	dr	<b>knitter-switch</b>	<h2>30 33 93</h2>
Revised	08/21	dr		
LED	06/16	dr		
Modifications	Date	Name		Page 2/2